

# SL Series Manual Gravity Feed Slicers



Avantco's SL series of gravity feed slicers come in four sizes to meet the needs of your operation. Built-in sharpeners and high quality design and construction ensure high performance for years to come.

- Compact Design
- High Quality Aluminum Construction
- Each unit has it's own built in sharpener.
- 9", 10", 12" & 12"HD models available.
- ETL and ETL Sanitation Listed





## Features

- Compact design
- Ideal for sub shops, small restaurants and delis
- High quality aluminum construction built in sharper
- Large receiving tray
- Built-in sharpener

## Technical Data

Cut Capacity (in)	9" x 7"
Max Cut Thickness (in)	1/2"
Blade Diameter	12"
Blade Rotation Speed	428 rpm
Operating Noise Level	60-67 dB(A)
Voltage	110
Power (HP)	1/3
Dimensions (in) W x D x H	20" x 22" x 16"
Box Dimensions (in) W x D x H	25" x 22" x 16"

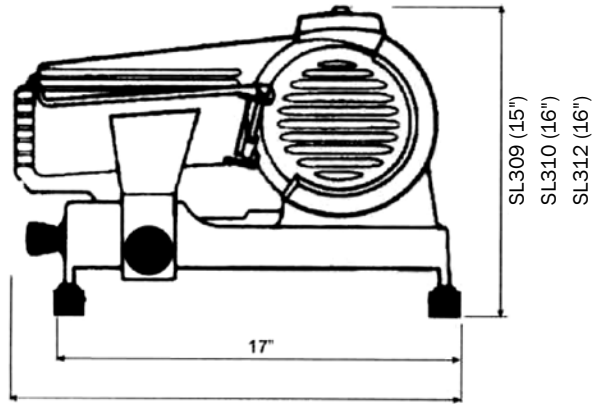
## Description

This Avantco SL312 12" manual gravity feed slicer features a compact design that's ideal for small operations where space is at a premium! It's great for slicing vegetables and processed meat, making it great for small delis, coffee shops, sub shops, and small restaurants. It's easy to use, with a cut thickness that's adjustable from 1/16" to 1/2".

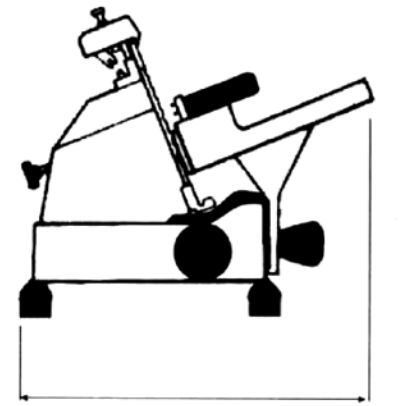
This Avantco SL312 12" slicer is constructed of top quality aluminum for durability and ease of cleaning, and features a built-in sharpening assembly. The meat carriage is also removable for easy cleanup. It also has a fixed ring guard for safety. The slicer's blade is belt-driven by a 1/3 hp motor.

1/3 hp slicers like the Avantco SL312 are appropriate for low-volume applications of less than 1 hour of slicing per day. It is not suitable for continuous, heavy use, raw or frozen meat, or cheese. This 12" manual gravity feed slicer requires a 110V electrical connection.

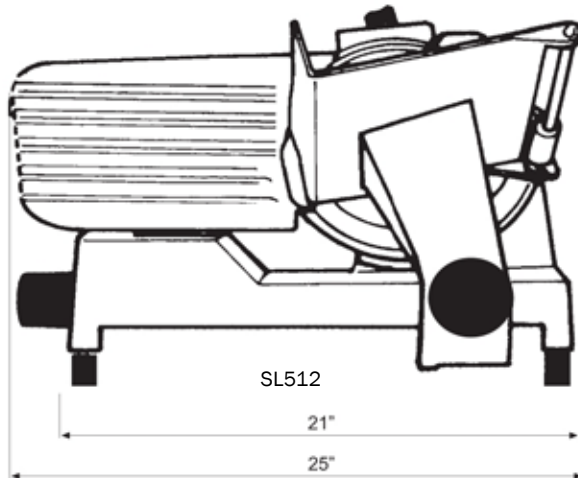
## Plan View



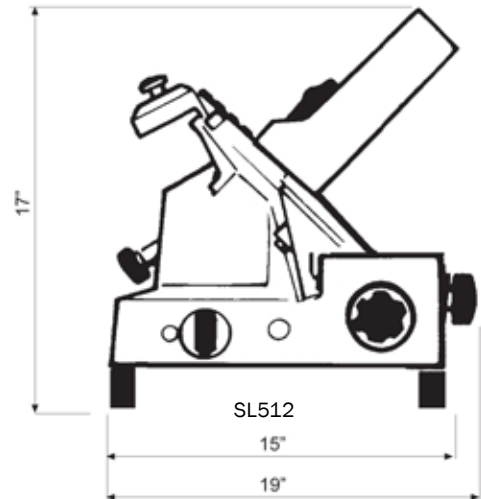
SL309 (18")  
 SL310 (21")  
 SL312 (22")



SL309 (16")  
 SL310 (17")  
 SL312 (20")



SL512  
 21"  
 25"



SL512  
 15"  
 19"



## Recommended Companion Product



LubriQuik food grade silicone spray lubricant is ideal for use on virtually any equipment or machinery that makes contact with food, such as slicers, conveyor systems, bottling and canning machinery, bakery equipment, and dairy equipment.